

Aluminium Racing Jack - Professional

- Professional premium quality aluminium racing jack
- Tested to Australian standards
- Suitable for professional user where performance and safety is paramount
- Perfect for applications where low jack weight is a requirement
e.g. mobile service vans



Safety overload valve.
Up to 5t (optional)



Hydraulic stroke limitation

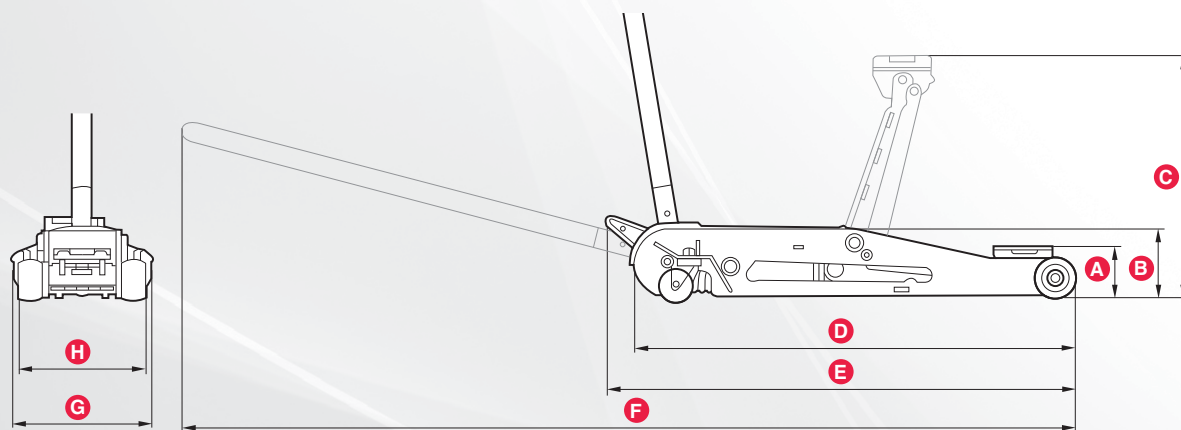


ARMARJ2000



Features

- Low profile design
- Light weight with fitted carry handles for easy handling
- Quick lift dual pump pistons for fast no-load lift 6 to 7 full pumps
- High quality machined cylinders for leak free performance
- Ram and cylinder are polished to protect against internal abrasions
- Nylon wheels and castors for easy of manoeuvrability and greater workshop floor protection
- High quality durable seals for extended service life



Part Number	Capacity (kg)	A	B	C	D	E	F	G	H	Weight (kg)
ARMARJ2000	2,000	97	165	490	660	730	1870	345	290	23

* Measurements in mm