

## Heavy Duty Garage Jacks

- Heavy Duty range of premium quality garage jacks
- Tested to Australian standards
- Range in capacity from 2,000 to 2,500kg
- Suitable for professional or home user



Safety overload valve



Hydraulic stroke limitation



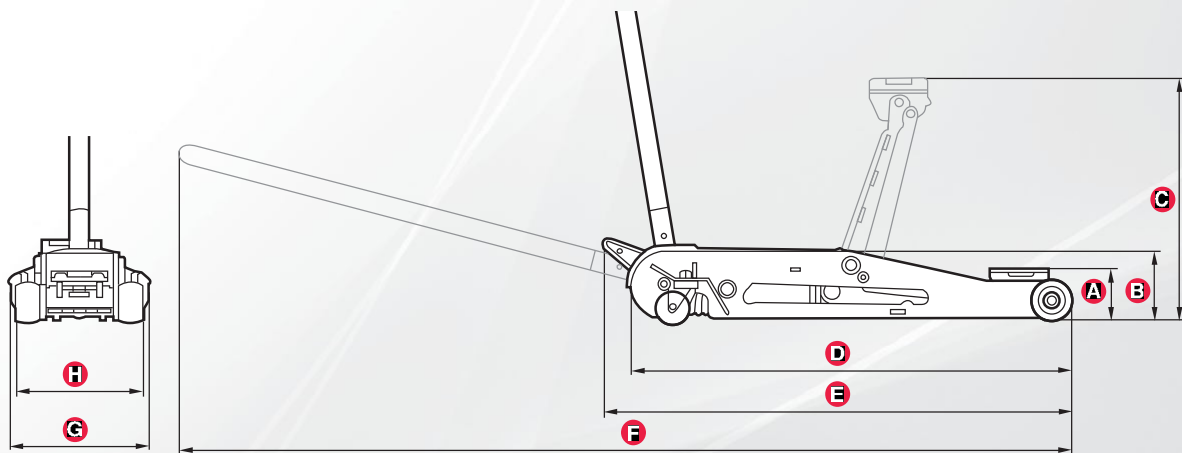
ARM800



ARM901

### Features

- High quality machined cylinders for leak free performance
- Ram and cylinder are polished to protect against internal abrasions
- Hydraulic stroke limitation system prevents the ram from being over extended and causing damage to the cylinder
- Quality durable seals for extended service life
- Heavy duty hardware for increased durability
- 2,500kg model is fitted with a convenient foot pedal for quick no load lifts



Part Number	Capacity (kg)	A	B	C	D	E	F	G	H	Weight (kg)
ARM800	2,000	130	177	491	620	620	1750	340	270	34.5
ARM901	2,500	140	175	495	620	780	1760	350	275	38.0

\* Measurements in mm