

Truck Mounted Cranes

- Professional quality truck mounted cranes
- Available in manual hydraulic and electric with remote control models
- Manufactured in Australia
- Ideal for vehicles where tray space is at a premium and structure allows for crane



Hydraulic stroke limitation



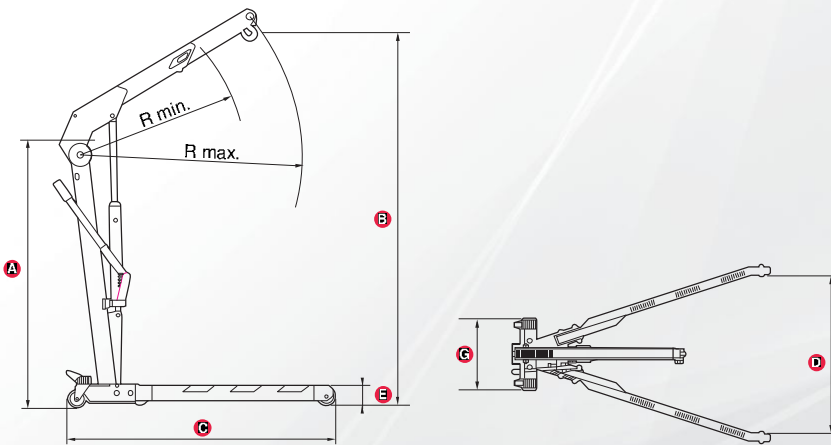
Safety overload valve



ARMTMC500

Features

- Manufactured using high quality hydraulics allowing for easy lowering and raising of the boom
- Extendable boom with high quality alloy safety hook
- Compact design taking up minimal load space
- Boom rotates 360 degrees
- ARMTMC500ELEC comes complete with remote control



Part Number	Type	POS. 1	POS. 1	POS. 1	POS. 1	POS. 1	Weight (kg)
ARMTMC500	Manual	500	400	350	300	250	75
ARMTMC500ELEC	Electric	500	400	350	300	250	101

* Measurements in mm